
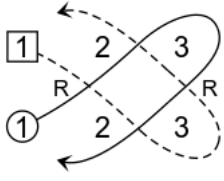


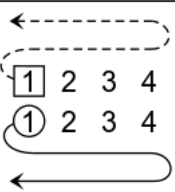


Social 02 February 2023 Lucy Clark

There is no diagram for Neil's Reel

THE HAAR ON SKYE		8x32 S	
1 2 		1 2 RONDEL	2 1 3 CHAIN




Marilyn Watson, 1997, Stepping Out 3, RSCDS Graded Book 3.7

3C/4C longwise set.

GALLOWAY HOUSE		8x32 R		
	1 2 	T_R 	 T_L	2 1 RL





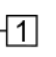
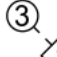



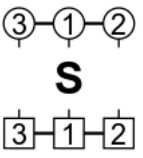
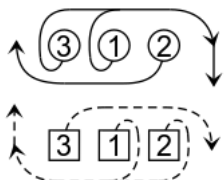
RSCDS Graded Book 1.5

2C/4C longwise set.

THE LAIRD OF MILTON'S DAUGHTER		8x32 J		
S X_R	 T_L	Corner chain T_R¹₂  T_L ²	T_R¹₂ T_L¹₄	R 

Lord Craigmyle, RSCDS Book 22.10

3C/4C longwise set.

GANG THE SAME GATE		8x32 S		
X_R  X_R 	S_↑ T_B 	3 3  S_↑  2 2	 T_B   	
Set and Link for Three 				


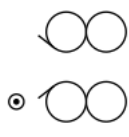


Milton Levy, RSCDS Book 36.4

3C/4C longwise set.

FAREWELL TO BALFOUR ROAD

5 couples, 2C start on bar 17

96 J


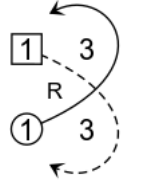


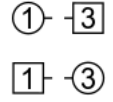

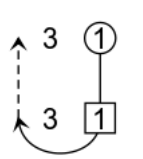

1 2 	1 2 S & LINK	1 3 S & LINK	1 4 5 	S  R	1x S  L
--	------------------------------	------------------------------	--	---	---

Andrew Buxton, 2015, RSCDS Book 52.7

5C/5C longwise set.

THE RUTLAND REEL

8x40 R

S 		2 1x 	2 1x 3 	 T _{R¹/₂}	3 1x 		1 3 
--	---	---	---	---	--	---	--

Robert Senior, 2010, The Sunday Class 1, RSCDS Book 48.2

3C/4C longwise set.