
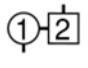
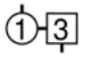

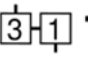
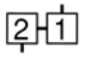
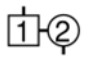
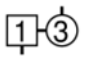

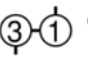

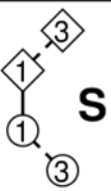
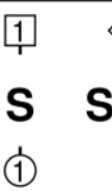
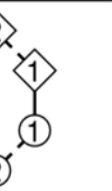




# Social 18 May 2023 Lucy Clark

## The Caterpillar R32 · 4/4L

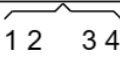
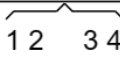
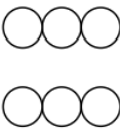
*Dottie Carr: Let's All Dance Too · Crib: MiniCribbs*

- 1-8 | 1s+2s also 3s+4s circle 4H round & back, all end on sides
- 9-16 | All dance RSh reels of 4 on the sides.
- 17-24 | 1s lead down the middle & back.
- 25-32 | 1s cast to 4th place, 1s turn RH

<b>SOCIETY PIPER</b>				<b>8x32 R</b>	
	 <b>T<sub>L</sub><sup>1/2</sup></b>	 <b>T<sub>R</sub><sup>1/2</sup></b>		 <b>T<sub>R</sub><sup>1/2</sup></b>	 <b>T<sub>L</sub><sup>1/2</sup></b>
 <b>T<sub>R</sub><sup>1/2</sup></b>	 <b>T<sub>L</sub><sup>1/2</sup></b>			 <b>T<sub>L</sub><sup>1/2</sup></b>	 <b>T<sub>R</sub><sup>1/2</sup></b>
 <b>S</b>	 <b>S</b>	 <b>S</b>			


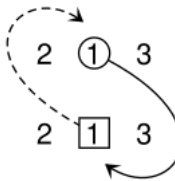

Roy Goldring, 10 Social Dances

3C/4C longwise set.

<b>BALMORAL STRATHSPEY</b>				<b>4x32 S</b>
		<p>2x 1x 4x 3x</p>		<p>1 4 3</p>
<b>RL</b>	<b>S RA</b>	<b>S X<sub>R</sub></b>		<b>A</b>
				to 2 3 4 1

John A Charles, RSCDS Book 22.3

4C/4C longwise set.

<b>GAELFORCE WIND</b>				<b>8x32 J</b>
<b>S X<sub>R</sub></b>	<p>1x 2</p> <b>S</b> & LINK	<p>2 1x</p> 		<p>2 1 3</p> <b>T<sub>R</sub></b>
				<p>2 1 3</p> 

Derek Haynes, 1996, Carnforth Collection 3, RSCDS Graded Book 3.12

3C/4C longwise set.

# IAN POWRIE'S FAREWELL TO AUCHTERARDER

128 J

8		□ <b>RA</b>		□ <b>RA</b>	ALL <b>PROM</b> clockwise
	ALL <b>ST<sub>R</sub></b>			1 3 <b>LA</b>	2 4 <b>R</b> 32 bars
ALL <b>PROM</b> anticlockwise		○ <b>LA</b>		○ <b>LA</b>	8 8

Bill Hamilton

4C/4C square set.

# CAPE TOWN WEDDING

8x32 S

		$T_{R\frac{1}{2}}$	$T_{L\frac{1}{2}}$	1x $T_{R\frac{1}{2}}$	
	ALL <b>S</b>	$T_{\diamond}$		to 1 2 3	1 2 <b>KNOT</b>

Tom Kerr, RSCDS Book 39.4

3C/4C longwise set.

# THE REEL OF THE ROYAL SCOTS

8x32 R

	$T_{L\frac{1}{2}}$		<b>S</b>		$T_{R\frac{1}{2}}$		<b>S</b>
	$T_{R\frac{1}{2}}$		$T_{L\frac{1}{2}}$		$T_R$		$T_R$
	Corners: 4 bar turns		$T_R$		2 1 3 6		

Roy Goldring, 1983, RSCDS Leaflet 7

3C/4C longwise set.