

# Social 8 December 2022 Lucy Clark

<b>THE HIGHLAND FAIR</b>			<b>8x32 J</b>
	<p>1 2</p> <p><b>T<sub>R</sub></b>   <b>T<sub>L</sub></b></p>	<p>2 1   2 1</p> <p>→   ←</p>	<p>2 1</p> <p><b>RL</b></p>

RSCDS Graded Book 1.6

2C/4C longwise set.

<b>FIRST LOVE</b>			<b>8x32 S</b>
	<p><b>T<sub>R</sub></b>   1</p>	<p><b>D</b></p>	<p>2 1 3</p> <p><b>CHAIN</b></p> <p>2 1 3</p> <p>6</p>

Joan Baker, Let's All Dance Too

3C/4C longwise set.

<b>MRS MACPHERSON OF INVERAN</b>			<b>8x32 R</b>
	<p><b>T<sub>R</sub>1<sup>1</sup>/<sub>2</sub></b></p> <p>→</p> <p>to 2 1x</p>		<p><b>CHAIN</b></p> <p>2 1 3</p> <p>6</p>




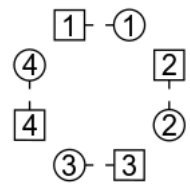
John Drewry, 1964, Bon Accord Book

3C/4C longwise set.

<b>FAREWELL TO BALFOUR ROAD</b>					
5 couples, 2C start on bar 17					
<b>96 J</b>					
<p>1 2</p> <p>4</p>	<p>1 2</p> <p><b>S</b></p> <p>&amp;</p> <p>LINK</p>	<p>1 3</p> <p><b>S</b></p> <p>&amp;</p> <p>LINK</p>	<p>1 4 5</p>	<p><b>S</b> ↗ ↘</p> <p>R</p>	<p>1x</p> <p><b>S</b> ↗ ↘</p> <p>L</p>

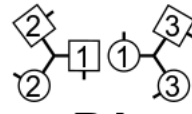
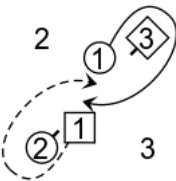
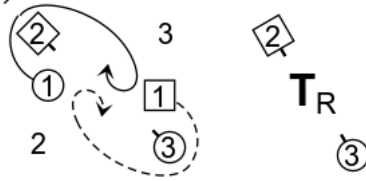
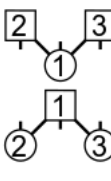


Andrew Buxton, 2015, RSCDS Book 52.7

5C/5C longwise set.

<b>THE BON VIVEUR</b>		<b>2x32 S + 2x32 R</b>	
	2 2  4 4	Schiehallion Reel  12 bars	 <div style="display: flex; flex-direction: column; align-items: center; justify-content: center;"> <div>ALL</div> <div style="font-size: 2em;"><b>T<sub>R</sub></b></div> <div>Birl</div> </div>

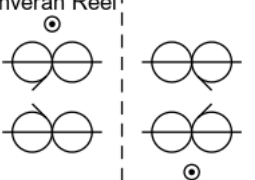
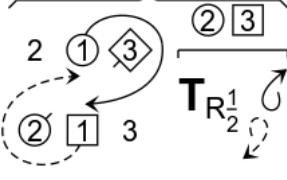
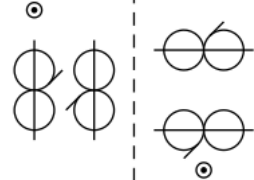
Ian Brockbank, 2015, RSCDS Book 52.11

4C/4C square set.

<b>TRIP TO TIMBER RIDGE</b>		<b>8x32 R</b>	
<b>T<sub>R</sub></b> 1	 <b>RA</b>	Corners Pass & Turn 	<b>T<sub>R</sub></b>
 <b>T<sub>R</sub></b>	 <b>DT</b> 6 bars	 <b>T<sub>◇</sub></b>	2 1 3 

Linda Henderson, 2010, RSCDS Book 52.12

3C/4C longwise set.

<b>RAMADAN-CE</b>		<b>8x32 R</b>	
Inveran Reel 	<b>X<sub>R</sub></b> 1	<b>T<sub>R</sub></b>	 <b>T<sub>R</sub><sup>1</sup><sub>2</sub></b>
 <b>R</b>			

John Drewry, 2000, Turkish Set

3C/4C longwise set.