

# Social diagrams 30 November 2023 Lucy Clark

<b>THE MAIDS OF CURRIE</b>				<b>8x32 R</b>
		<p>1 2</p> <p><b>RA</b></p>	<p>2 1    2 1</p> <p>→      ←</p>	

Helen Cruickshank & Heather Thompson, 1979, RSCDS Childrens Book .7

3C/4C longwise set.

<b>KILKENNY CASTLE</b>				<b>8x32 S</b>	
<p>1 2</p> <p><b>S X<sub>R</sub></b> 1</p>	<p><b>T<sub>L</sub></b></p> <p><b>T<sub>R</sub></b></p>	<p>Give hands</p>	<p>1x</p> <p><b>X<sub>R</sub>S X<sub>R</sub>S</b></p>	<p>3</p> <p><b>RL</b></p>	<p>3 1 3</p> <p><b>RL</b></p>

Bill Forbes, Craigievar Book 2

3C/4C longwise set.

<b>THE HAPPY WEASEL</b>				<b>8x32 J</b>
<p>2    1    3</p> <p><b>S</b> 1</p>	<p>2    1    3</p> <p><b>ST S X<sub>R</sub> ST</b></p>	<p>Weasel Reel</p> <p>1/2 reel of 4 &amp; 1/2 chase</p> <p>All dance clockwise back to starting positions</p>		
<p>2    1x    3</p> <p><b>ST S<sub>2</sub> ST</b></p>		<p>3 1 2</p> <p><b>A</b></p>		

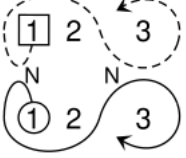

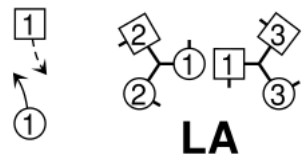
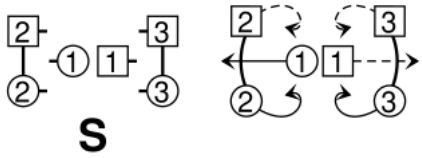
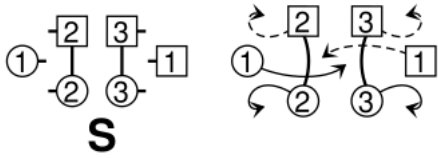
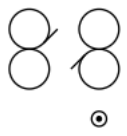
Livia Kohn, Suncoast Collection

3C/4C longwise set.

<b>HAME CAME OUR GUDEMAN</b>				<b>8x32 S</b>	
<p>1 2</p> <p><b>S<sub>2</sub></b></p>	<p>1 2</p> <p><b>RL</b></p>	<p>2- 1-</p> <p><b>S<sub>2</sub></b></p> <p>2- 1-</p>	<p>2- 1-</p> <p><b>RL</b></p> <p>2- 1-</p>	<p>1 2 3</p> <p><b>PROM</b> 1</p>	<p>1 3</p> <p><b>P</b></p>

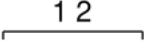
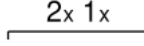
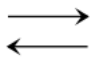

Thomas Wilson, 1816, RSCDS Book 30.2

3C/4C longwise set.

<b>TOAST TO THE MOUSIES</b>		<b>8x32 R</b>
	 <p style="text-align: center;"><b>RA</b></p>	 <p style="text-align: center;"><b>LA</b></p>
 <p style="text-align: center;"><b>S</b></p>	 <p style="text-align: center;"><b>S</b></p>	<p style="text-align: right; margin-right: 10px;">2 1 3</p>  <p style="text-align: right; margin-right: 10px;"><b>S</b></p>

Sara Gratiot, 2016, RSCDS Book 53

3C/4C longwise set.

<b>THE DEIL AMANG THE TAILORS</b>				<b>8x32 R</b>
<p style="text-align: center; margin-bottom: 5px;">1 2</p>  <p style="text-align: center;"><b>S RA</b></p>	<p style="text-align: center; margin-bottom: 5px;">2x 1x</p>  <p style="text-align: center;"><b>S LA</b></p>	<p style="text-align: center; margin-bottom: 5px;">1 2</p>  <p style="text-align: center;"><b>A</b></p>	<p style="text-align: center; margin-bottom: 5px;">2 1 3</p>  <p style="text-align: center;"><b>6</b></p>	

Dale's Collection, 1799, RSCDS Book 14.7

3C/4C longwise set.